

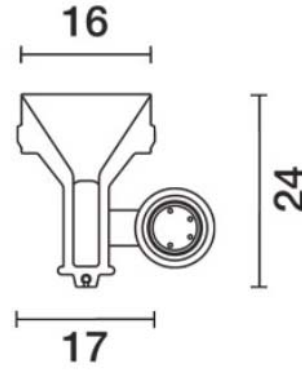
# INDIRECT LIGHT

NEL0404-1.0

## IMAGE



## DETAIL



## DRIVER



LED HOUSING	Silicone
IP	68
COVER	Silicone / Beam Angle $\angle 111^\circ$
LED TYPE	LED PCB (IGUZZINI社)
POWER	8.5W / M
LUMINOUS FLUX	800lm / M
COLOR RENDERRING INDEX	CRI 80
COLOR TEMPERATURE	2,500K
DRIVER	1-10V Dimming 전용 LED SMPS 사용
COLOR	-