

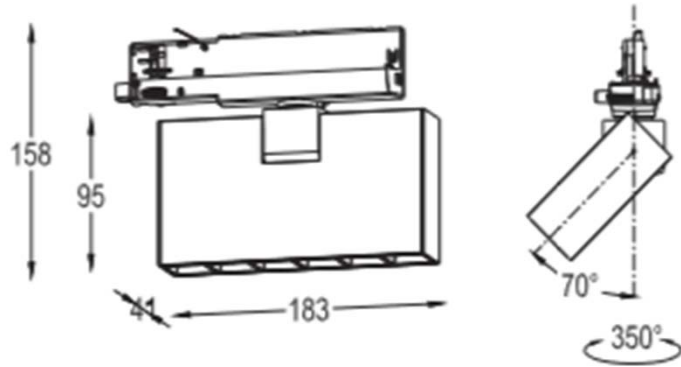
# DOWN LIGHT

NLT1815-2.0S

IMAGE



DETAIL



LAMP & DRIVER



|                        |   |
|------------------------|---|
| LED HOUSING            | AL-Die casting                          |
| MOUNTING RING          | AL-Die casting                          |
| REFLECTOR              | Aluminum / Beam Angle $\angle 24^\circ$ |
| LED TYPE               | LED (BRIDGELUX社)                        |
| POWER                  | 20W                                     |
| LUMINOUS FLUX          | 1,800lm                                 |
| COLOR RENDERRING INDEX | CRI 90                                  |
| COLOR TEMPERATURE      | 3,000K                                  |
| DRIVER                 | 전용 LED 드라이버 사용 (OSRAM社)                 |
| COLOR                  | -                                       |